

ELECTRIC SCISSOR LIFTS

COMPACT® 2247E
COMPACT® 2747E
COMPACT® 3347E



- 990 lb platform capacity (COMPACT® 2747E)
- 660 lb platform capacity (COMPACT 3347E)
- 3 ft platform in extension
- 5 in ground clearance
- Pothole protection



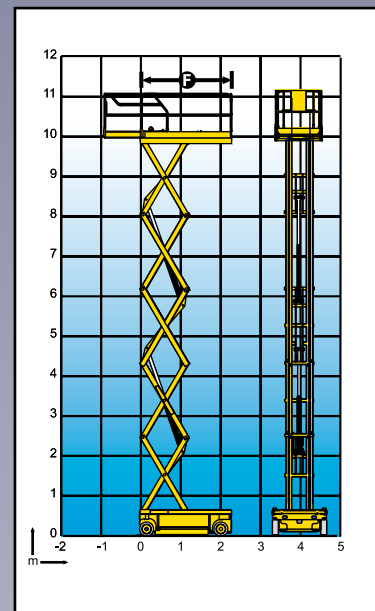
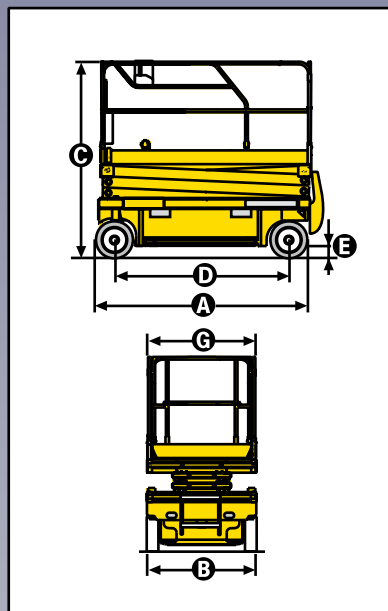
Haulotte 
GROUP

COMPACT[®] 22/27/3347E

Electric scissor lifts

The Haulotte[®] advantages

- COMPACT[®] 2247 E : 990 lb platform capacity
- COMPACT[®] 2747 E : 990 lb platform capacity
- COMPACT[®] 3347 E : 660 platform capacity
- 47 in width allows operation in the most congested areas
- Pot Hole protection ensures maximum safety
- High battery autonomy
- Robust, reliable and easy to maintain design



STANDARD FEATURES

- Non marking tyres
- 3 ft platform extension
- Tilt alarm
- 2 proportional drive speeds
- 2 wheel drive and steer
- Free wheeling device
- 24 V - 4 x 6 V - battery
- 30 amp battery charger
- Battery charge indicator
- Hourmeter
- Towing hooks / lifting brackets
- Emergency lowering system
- 110V outlet

OPTIONS & ACCESSORIES

- Travel alarm
- Fold down handrails
- Work light
- Flash light
- Inverter

SPECIFICATIONS

	COMPACT 2247E	COMPACT 2747E	COMPACT 3347 E
Working Height	26ft 7in	32ft 8in	38ft 10in
Platform Height	20ft 7in	26ft 8in	32ft 10in
Driveable up to	20ft 7in	26ft 8in	26ft 3in
Platform capacity	992 lb	992 lb	662 lb
A - Stowed length	7ft 7in		
With access steps	8ft 2in		
B - Width	47 in		
C - Stowed height (guardrails)	7ft 0in	7ft 5in	7ft 10in
D - Stowed height (platform)	3ft 4in	3ft 9in	4ft 2in
E - Wheelbase	6ft 1in		
Ground clearance	5 in		
With deployed Pot Hole	1 in		
Platform size	91 x 47 in		
F - Extension size	36 in		
Extension capacity	36 in		
Drive speed	0,6 - 2,2 mph		
Outside turning radius	98 in		
Raise / lower speed (sec)	44 sec / 56 sec	51 sec / 42 sec	85 sec / 50 sec
Greadibility	23%		
Controls	Proportional		
Batteries	310 Ah - C20		
Tires (solid / non marking)	15 x 5 x 2 in		
Hydraulic tank	7 gal		
Weight	4 300 lb	5 138 lb	5 799 lb

HAULOTTE US • 7135 STANDARD DRIVE - HANOVER - MD21076 - USA
Tél : +1 410 7124403 • Fax : +1 410 7124419 • Toll free: +1 877-HAULOTTE • e-mail: sales@us.haulotte.com

HAULOTTE GROUP - La Péronnière - BP9 - 42152 L'Horme - France
Tel : +33(0)4 77 29 24 24 • Fax : +33(0)4 77 29 43 95 • e-mail : haulotte@haulotte.com • web : http://www.haulotte.com

